

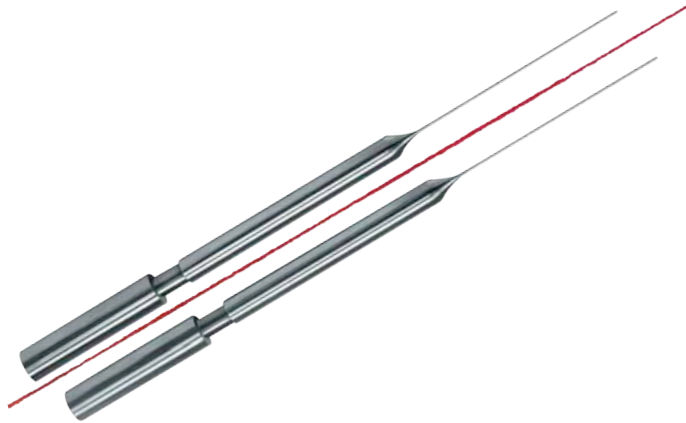


Punches & molded parts

Groz-Beckert specializes in manufacturing highly accurate precision parts made from tungsten carbide, ceramics and steel – and has for over 20 years.

In addition to traditional round punches, Groz-Beckert CPC also produces purpose-built items. Cutting-edge manufacturing technologies can produce customer-specific special solutions. In addition to tungsten carbide, other materials such as steel and ceramic can also be machined. The application fields are varied and include measurement technology, the electrical industry and tool as well as machine shop.

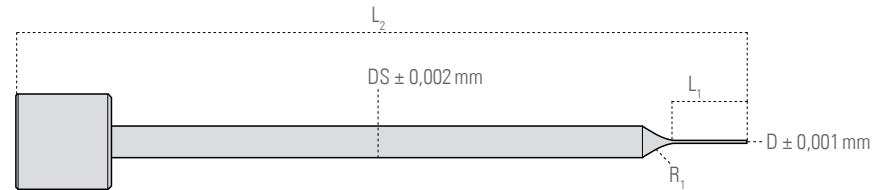
With the support of development, process engineering and laboratory as early as the product development phase, Groz-Beckert can map out the entire process from the idea to the manufacture of the product.



GROZ-BECKERT

Groz-Beckert KG

Parkweg 2, 72458 Albstadt, Germany
Phone +49 7431 10-0, Fax +49 7431 10-2777
contact-cpc@groz-beckert.com
www.groz-beckert.com



Nominal diameter	D	from 0.030 mm
Shaft diameter	DS	0.3–15 mm
Radial run out		0.002 mm
Concentricity		0.002 mm
Finish quality	Rz	0.2–0.6
Coating		DLC, TiN, TiAL
Quantities		1–1000
Material		tungsten carbide, ceramic, (steel)

R_1 , L_1 and L_2 according to customer requirements

The above values may deviate with specific dimensions. Further dimensions, tolerances and materials are available on request.



Eccentric finishing



Edge rounding and finish quality



High shape and position accuracy



Complex shapes



High-precision shaft



Square machining



Special external shapes



Aligning surfaces for molded parts